

# Orchestra of Lights™ Tree Duo With Speaker

Item #1041151  
Model 113341

## SAFETY INFORMATION

---

### **WARNING: READ AND UNDERSTAND ALL INSTRUCTIONS.**

Failure to follow all instructions listed below may result in electric shock, fire and/or serious personal injury.

### **WARNING: ELECTRIC PRODUCT.**

This product is to be assembled by adults only. Keep away from children. Not recommended for children under 3 years of age. As with all electrical products, precautions should be observed during handling and use to reduce the risk of electric shock. If the supply cord is damaged, it must be replaced by the manufacturer, its service agent or similarly qualified persons in order to avoid a hazard. To avoid the risk of electrical shock, always make sure the item is unplugged from the electrical outlet before assembling, disassembling, or relocating.

## **IMPORTANT SAFETY INSTRUCTIONS**

### **READ AND FOLLOW ALL SAFETY INSTRUCTIONS**

When using electrical products, basic precautions should always be followed, including the following:

- This is an electrical product - not a toy! To avoid risk of fire, burns, personal injury, and electric shock, it should not be played with or placed where small children can reach it.
- Do not use seasonal products outdoors unless marked suitable for indoor and outdoor use. When products are used in outdoor applications, connect the product to a Ground Fault Circuit Interrupting (GFCI) outlet. If one is not provided, contact a qualified electrician for proper installation.
- This seasonal use product is not intended for permanent installation or use.
- Do not mount or place near gas or electric heaters, fireplaces, candles, or other similar sources of heat.
- Do not secure product wiring with staples or nails or place on sharp hooks or nails.
- Do not let lamps rest on the supply cord or on any wire.
- Unplug the product when leaving the house, when retiring for the night, or if left unattended.
- Do not use this product for other than its intended purpose.
- Do not hang ornaments or other objects from cord, wire, or light string.
- Do not close doors or windows on the product, or extension cords, as this may damage the wire insulation.
- Do not cover the product with a cloth, paper, or any material not part of the product when in use.
- Do not place the product against furniture or any other fabric when in use.
- Read and follow all instructions that are on the product or provided with the product.

## **SAVE THESE INSTRUCTION**

---

### **PREPARATION RECOMMENDATIONS**

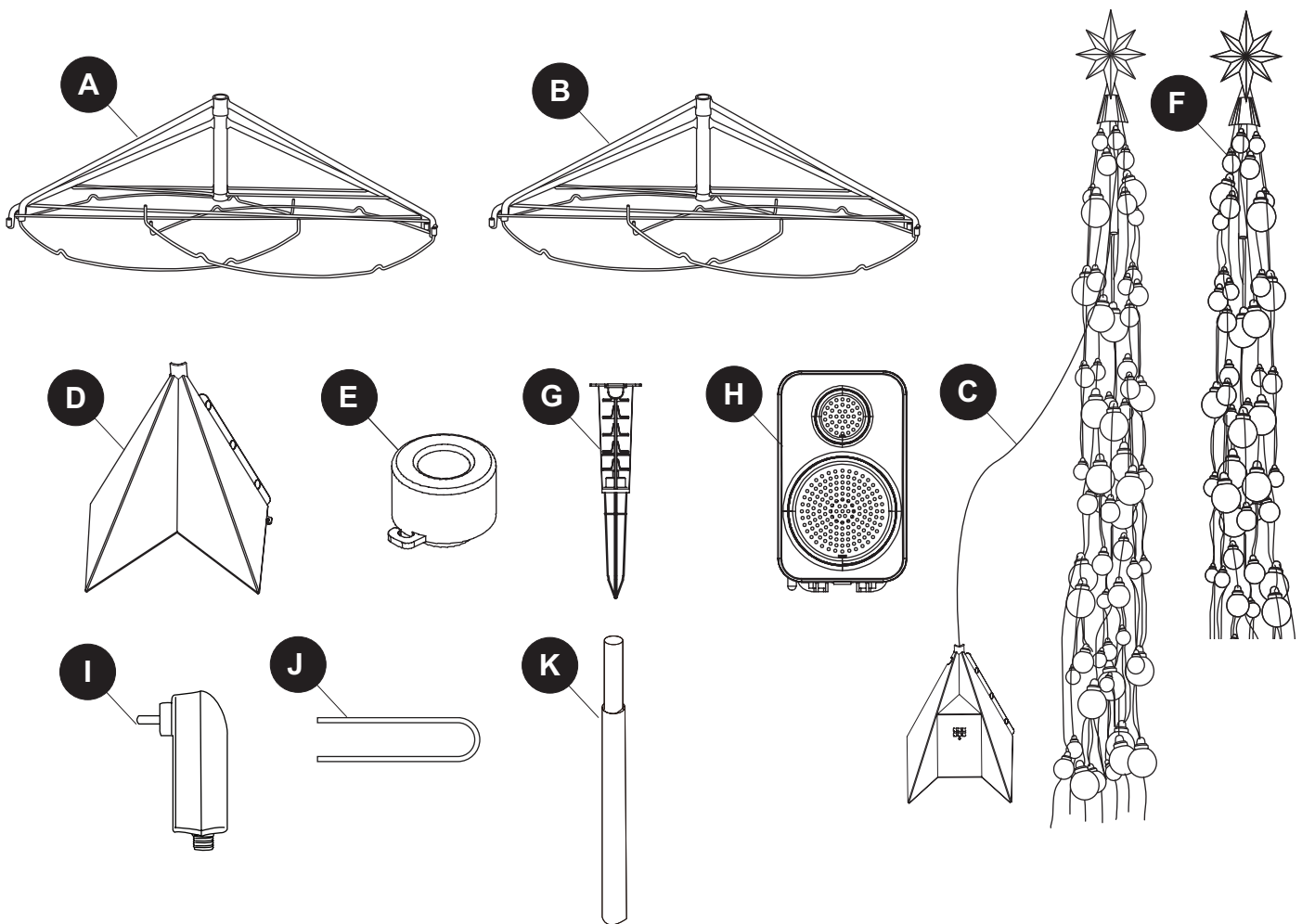
Prior to assembly, make sure all parts are included by comparing to the Package Contents list below. If any part is missing, please contact Customer Service before assembling.

It is also recommended to:

- Read through all directions first.
- Allow 15-20 minutes for assembly.
- Assemble your trees where you would like to place them, as they are difficult to move once fully set up.

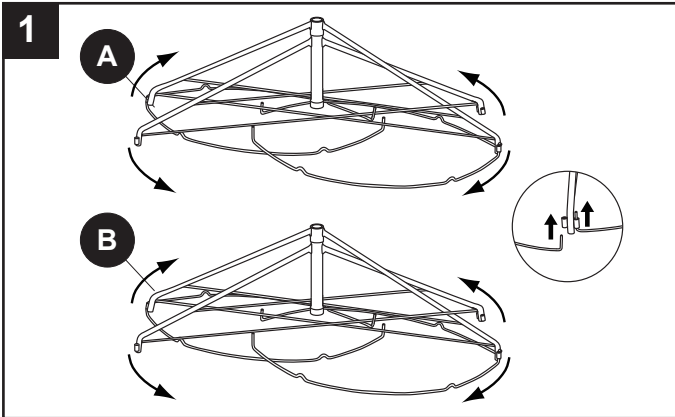
# PACKAGE CONTENTS

PART	DESCRIPTION	QUANTITY
A	Large Tree Base & Wire Frame	1
B	Small Tree Base & Wire Frame	1
C	Control Panel - Light String set with Star Topper (Large Tree)	1
D	Plastic Tree Skirt	7
E	Tree Skirt Connector Ring	2
F	Light String Set with Star Topper (Small Tree)	1
G	Speaker Stake	1
H	Speaker	1
I	UL Listed Adapter	1
J	Metal U-Shaped Stakes	8
K	Tree Poles	3

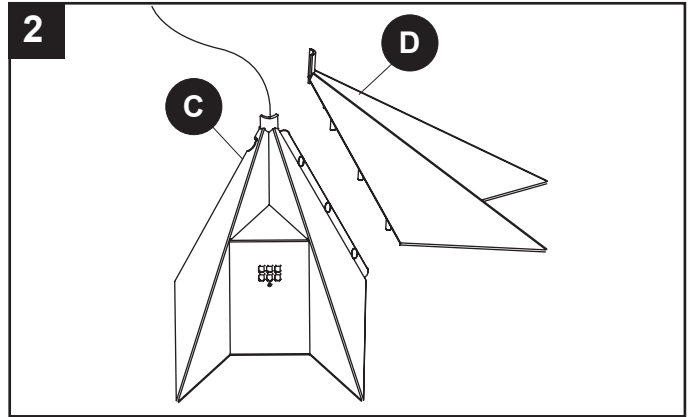


# ASSEMBLY INSTRUCTIONS

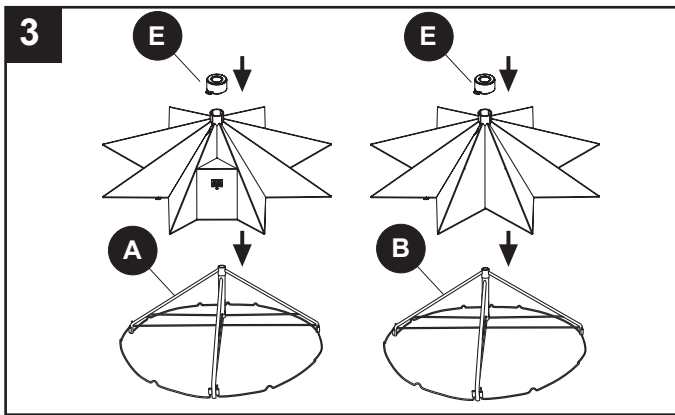
If you have not already, move the assembled bases to your desired outdoor location. They become difficult to move once poles and other parts are attached.



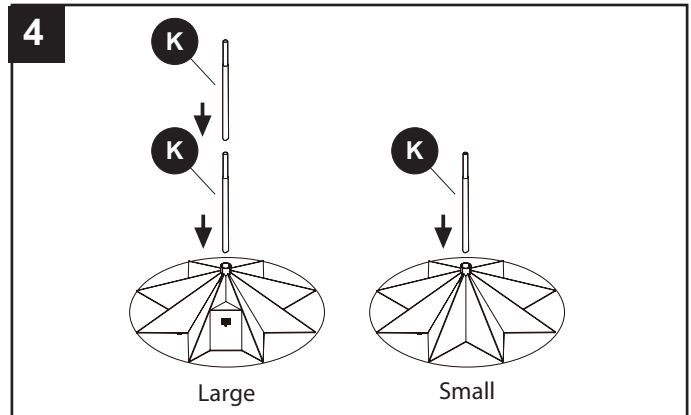
1. Begin assembly of the large tree by opening the legs of the Large Tree Base & Wire Frame (A) so they are perpendicular. Attach the wire frames to form a circle. (Note: The large tree base has 8 raised notches on the wire frame.) Begin assembly of the small tree by opening the legs of the Small Tree Base & Wire Frame (B) so they are perpendicular. Attach the wire frames to form a circle. (Note: The small tree base has 6 raised notches on the wire frame.)



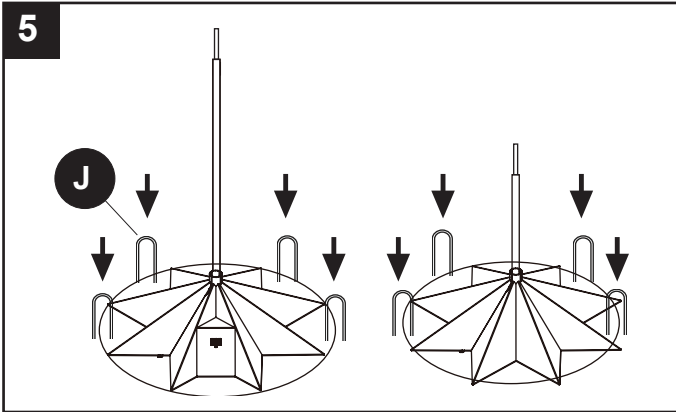
2. Form the tree skirt of the large tree by snapping together the Control Panel (C) and 3 Plastic Tree Skirts (D). Form the tree skirt of the small tree by snapping together 4 Plastic Tree Skirts (D).



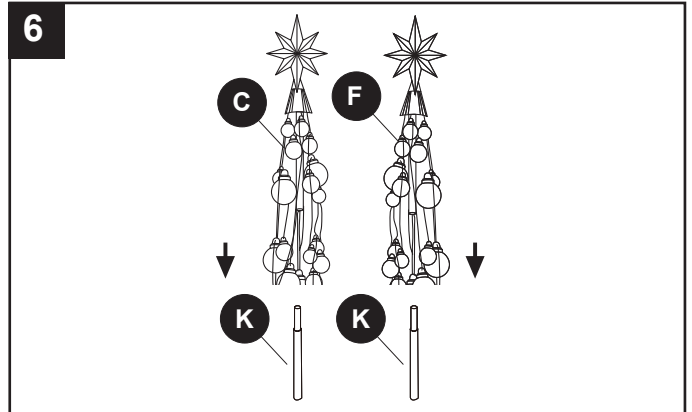
3. Secure the large tree skirt by pushing a Tree Skirt Connector Ring (E) onto the newly formed circle at the top. Place tree skirt on top of the Large Tree Base & Wire Frame (A). Secure the small tree skirt by pushing a Tree Skirt Connector Ring (E) onto the newly formed circle at the top. Place tree skirt on top of the Small Tree Base & Wire Frame (B).



4. Assemble 2 Tree Poles (K) and slide them into the top circle of the large tree base. Assemble 1 Tree Pole (K) and slide it into the top circle of the small tree base.

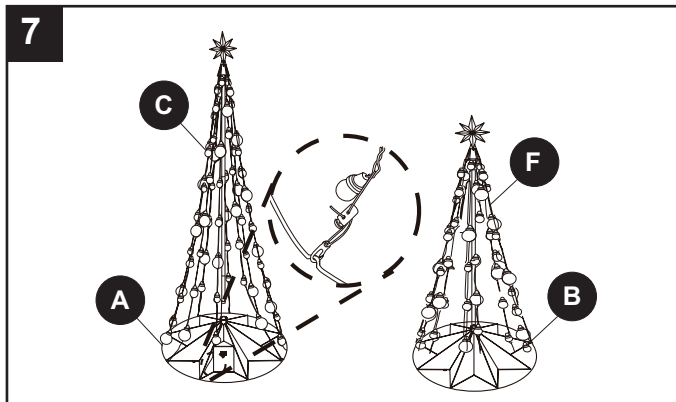


5. Stake each tree base into the ground with 4 Metal U-Shaped Stakes (J) by placing stakes across from each other along the wire frame, avoiding the raised notches.

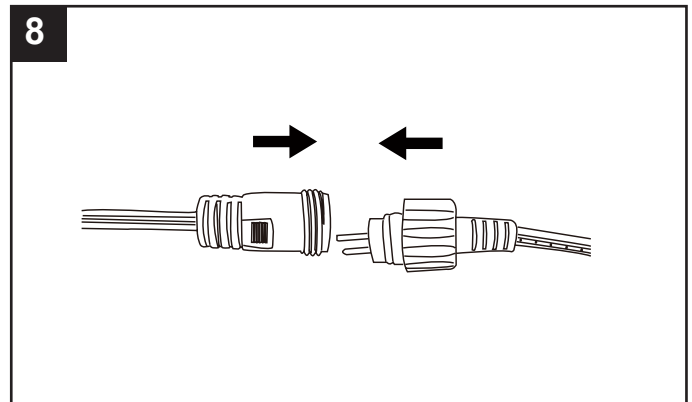


6. Taking care to protect the bulbs and wiring, connect the Light String Set with Star Topper (C) onto the top pole of the large tree. (Note: The Light String Set (C) is hardwired to the Control Panel, so handle it carefully without yanking, dropping or moving abruptly.) Taking care to protect the bulbs and wiring, connect the Light String Set with Star Topper (F) onto the top of the pole of the small tree.

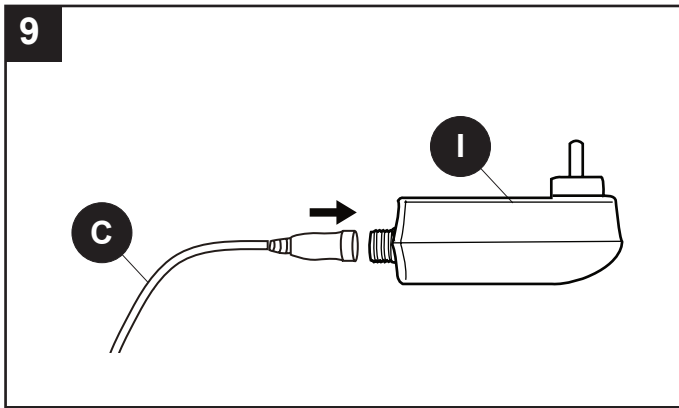
## ASSEMBLY INSTRUCTIONS



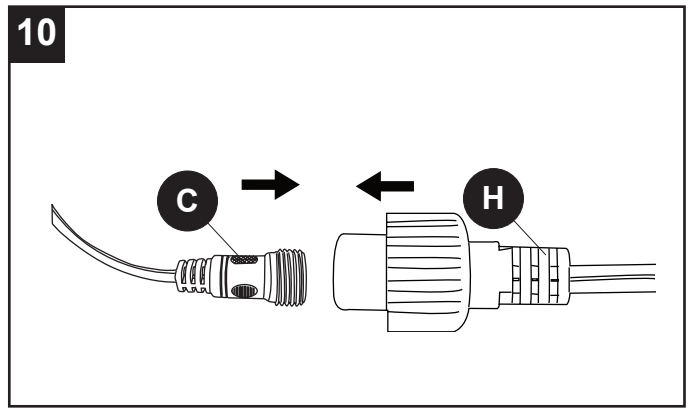
7. Carefully align each light string toward a raised notch in the base wire frame. Starting with light string number 1 on the large tree, secure the light string to a raised notch. Repeat in a clockwise fashion for strings numbered 2-8, in numbered order. Tighten each light string with the cinch clip until taut. Repeat the procedure for the small tree, securing light strings numbered 1-6 in a clockwise fashion and cinching until taut.



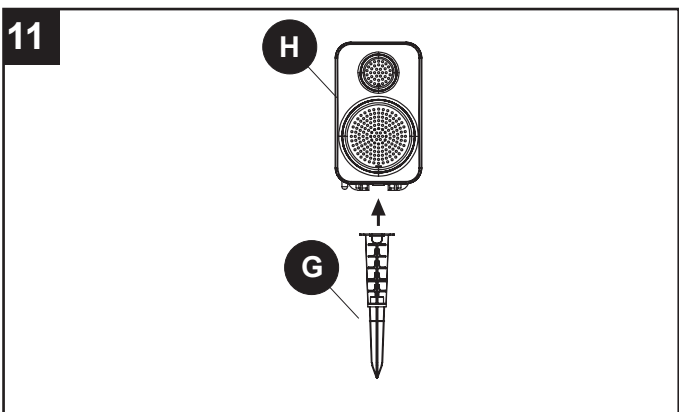
8. Connect the large and small trees together by attaching their cables (female connector on large tree to male connector on small tree).



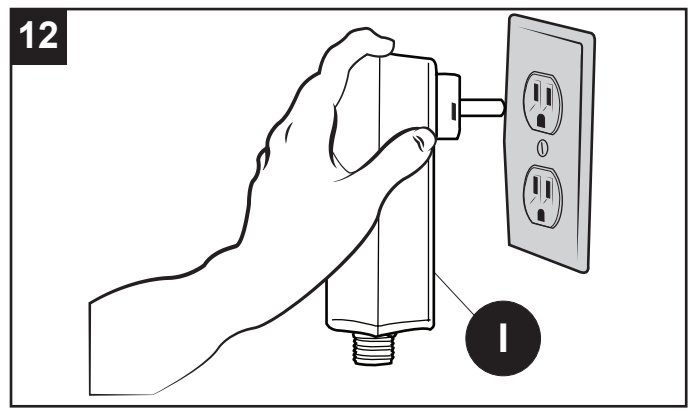
9. Connect the UL Listed Adapter (I) to the Control Panel (C) on the large tree (female connector on the adapter to male connector on the control panel).



10. Connect the Speaker (H) cable to the Control Panel (C) on the large tree (male connector on the speaker to female connector on the control panel).

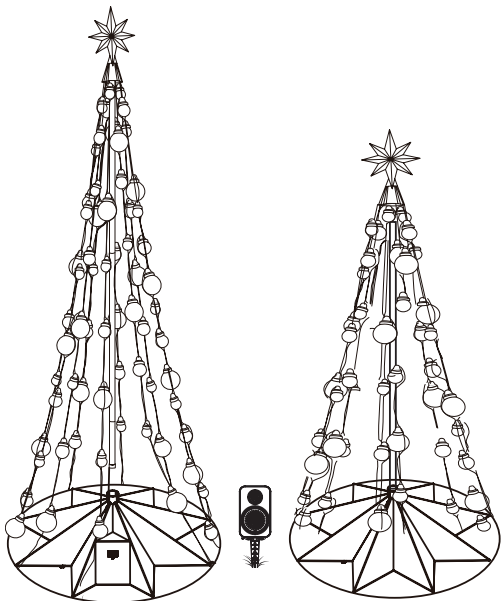


11. Slide the Speaker Stake (G) into place on the bottom of the Speaker (H) and snap into place. Carefully insert the Speaker Stake (G) into the ground.



12. Plug UL-listed power supply (I) into standard wall outlet.

## ASSEMBLY INSTRUCTIONS



Congratulations! Above is a diagram of the Tree Duo successfully assembled. Refer to the **Quick Start Guide** to program your Tree Duo and connect your Hub.

## CARE AND MAINTENANCE

---

- Before using and reusing, inspect the product carefully. Discard any products that have cut, damaged or frayed wire insulation cords, cracks, lamp holders or enclosures, loose connections, or exposed copper wire.
- When storing the product, carefully remove the product from wherever it is placed, including trees, branches, or bushes, to avoid any undue strain or stress on the product conductors, connections and wires.
- When not in use, store neatly in a cool, dry location protected from sunlight.
- Do not discard box as it should be used for storage.
- Return all parts to the original packaging, if possible.

## TROUBLESHOOTING

---

Si tiene preguntas relacionadas con el producto, llame al Departamento de Servicio al Cliente al 1-877-250-9032, de lunes a viernes de 9 a.m. a 5 p.m., hora central estándar.

## WARNING

---

This device complies with Part 15 of the FCC Rules. Operation is subject to the following two conditions: (1) this device may not cause harmful interference, and (2) this device must accept any interference received, including interference that may cause undesired operation.

**CAUTION:** Changes or modifications not expressly approved by the party responsible for compliance could void the user's authority to operate the equipment.

**NOTE:** This equipment has been tested and found to comply with the limits for a Class B digital device, pursuant to Part 15 of the FCC Rules. These limits are designed to provide reasonable protection against harmful interference in a residential installation. This equipment generates, uses, and can radiate radio frequency energy and, if not installed and used in accordance with the instructions, may cause harmful interference to radio communications. However, there is no guarantee that interference will not occur in a particular installation. If this equipment does cause harmful interference to radio or television reception, which can be determined by turning the equipment off and on, the user is encouraged to try to correct the interference by one or more of the following measures:

- Reorient or relocate the receiving antenna.
- Increase the distance between the equipment and receiver.
- Connect the equipment into an outlet on a circuit different from that to which the receiver is connected.
- Consult the dealer or an experienced radio/TV technician for help important announcement

### Important Note:

### Radiation Exposure Statement

This equipment complies with FCC radiation exposure limits set forth for an uncontrolled environment. This equipment should be installed and operated with minimum distance 20cm between the radiator and your body. This transmitter must not be co-located or operating in conjunction with any other antenna or transmitter.

## THESE INSTRUCTIONS ARE FOR THESE ITEM NUMBERS

---

113341

QD ID: 91274



Visit [WWW.GEMMY.COM](http://WWW.GEMMY.COM) for more information.

©2018 GEMMY INDUSTRIES CORP.

117 WRANGLER DRIVE, SUITE 100

COPPELL, TX 75019 U.S.A.

1 (877) 250-9032

MADE IN CHINA / PRINTED IN CHINA